

# Masonry Control Joint Profiles

(Diagrams are not drawn to scale. All dimensions are nominal.)

Dimex control joint products are designed to be used with standard sash blocks and other masonry wall materials. We provide a vertical control joint gasket that allows for expansion and contraction of masonry walls while reducing the possibility of air and water penetration.

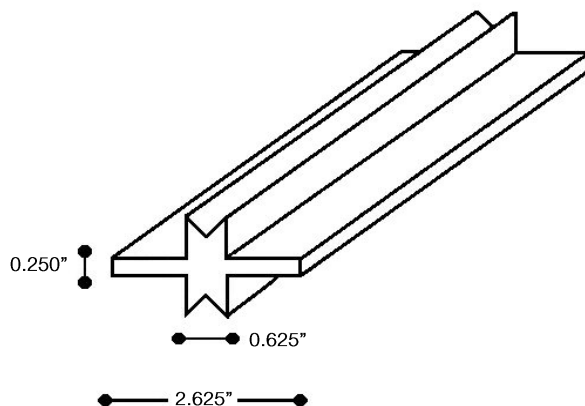
## PVC Control Joints – Available in 32” and 48” / Black or Gray

Manufactured from a PVC compound grade conforming to ASTM D-2287-654 with a durometer hardness of  $85\pm 5$  shore A when tested in conformance with ASTM D-2240

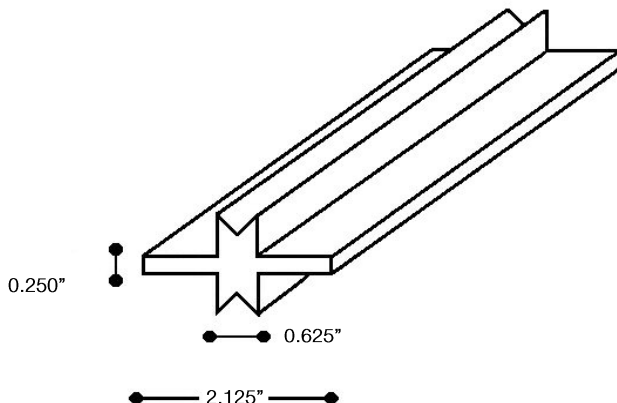
## Rubber Control Joints – Available in 32” and 48”

Manufactured from a high grade of synthetic rubber compound conforming to ASTM D-2000 2AA805 with a durometer hardness of  $80\pm 5$  shore A when tested in conformance with ASTM-2240.

Item #	Flange Profile	Material	Length	Width
2010	Standard	Rubber	48”	2.625”
2011	Standard	Black PVC	48”	2.625”



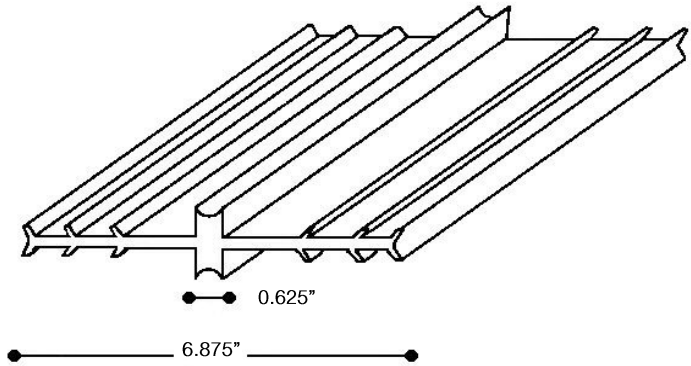
Item #	Flange Profile	Material	Length	Width
2015	Standard	Rubber	32”	2.125”
2017	Standard	Gray PVC	32”	2.125”



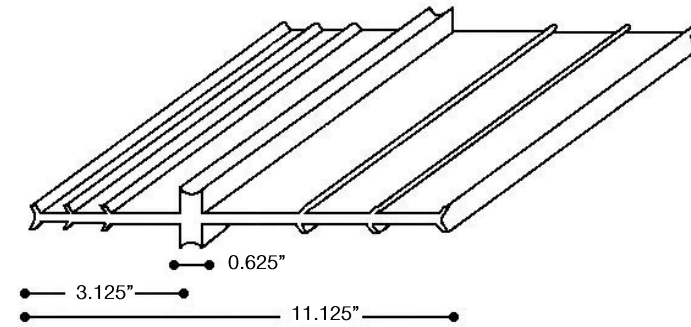
# Masonry Control Joint Profiles

(Diagrams are not drawn to scale. All dimensions are nominal.)

Item #	Flange Profile	Material	Length	Width
2012	Wide	Black PVC	48"	6.875"
2018	Wide	Gray PVC	32"	6.875"
2112	Wide	Rubber	48"	6.875"
2118	Wide	Rubber	32"	6.875"



Item #	Flange Profile	Material	Length	Width
2013	Wide	Black PVC	48"	11.125"
2019	Wide	Gray PVC	32"	11.125"
2113	Wide	Rubber	48"	11.125"
2119	Wide	Rubber	32"	11.125"



Item #	Flange Profile	Material	Length	Width
2014	Tee	Black PVC	48"	2.625"
2016	Tee	Gray PVC	32"	2.625"
2114	Tee	Rubber	32"	2.625"

